



Laser Dust Sensor

(Model: ZH06-III)

Manual

Version: 1.4

Issue Date: 2021-11-30

Zhengzhou Winsen Electronics Technology Co., Ltd

Statement

This manual copyright belongs to Zhengzhou Winsen Electronics Technology Co., LTD. Without the written permission, any part of this manual shall not be copied, translated, stored in database or retrieval system, also can't spread through electronic, copying, record ways.

Thanks for purchasing our product. In order to let customers using it better and reduce the faults caused by misuse, please read the manual carefully and operate it correctly in accordance with the instructions. If users disobey the terms or remove, disassemble, change the components inside of the sensor, we shall not be responsible for the loss.

The specific such as color, appearance, sizes & etc., please in kind prevail.

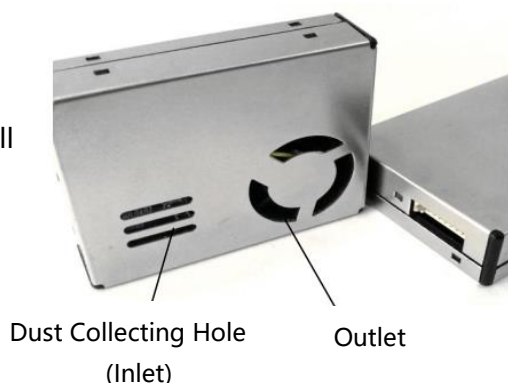
We are devoting ourselves to products development and technical innovation, so we reserve the right to improve the products without notice. Please confirm it is the valid version before using this manual. At the same time, users' comments on optimized using way are welcome.

Please keep the manual properly, in order to get help if you have questions during the usage in the future.

ZH06-III Laser dust sensor

Description:

Laser Dust sensor module is a common type, small size sensor, using laser scattering principle to detect the dust particles in air, with good consistency and stability. It is easy to use, with UART & PWM output; Small size is suitable for integrating.



Stable1. Technical parameters

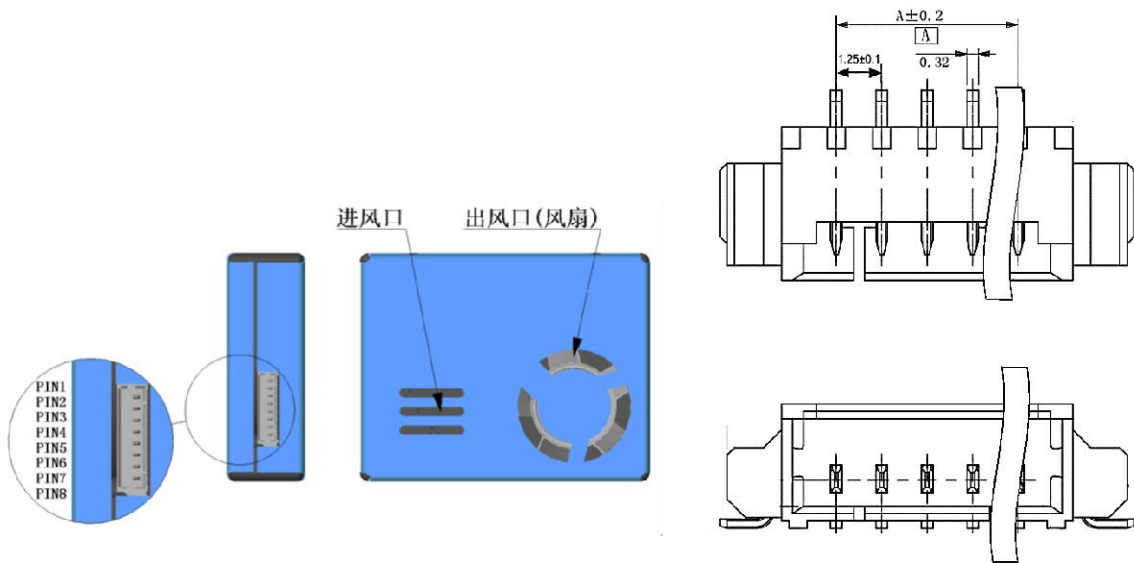
Features:

Good consistency
 Real time response
 Accurate data
 Low power consumption
 Minus resolution of particle diameter is 0.3 μm

Main Applications:

Air purifiers
 Ventilation systems
 Portable instrument
 Air quality monitoring equipment
 Air conditioner
 Smart home fields

Model	ZH06-III
Detection Range	0.3-10 μm
Effective Range	0-1000 $\mu\text{g}/\text{m}^3$
Detection Interval	1s
PM2.5 Detection Accuracy	0-100 $\mu\text{g}/\text{m}^3$: $\pm 15\mu\text{g}/\text{m}^3$ 101-1000 $\mu\text{g}/\text{m}^3$: $\pm 15\%$ Reading (Test Condition: $25 \pm 2^\circ\text{C}$, $50 \pm 10\%$ RH, TSI8530, Cigarette, GBT18801-2015)
Preheating Time	30s
Output	UART_TTL Output (3.3V level)
	PWM Output (3.3V level)
Working Voltage	4.9V ~ 5.5V(DC)
Working Current	< 120mA
Dormancy Current	< 20mA
Response Time	T90 < 45s
Working Humidity	0 ~ 95%RH(No Condensation)
Working Tem	- 10 ~ 60 $^\circ\text{C}$
Storage Tem	- 30 ~ 70 $^\circ\text{C}$
Dimension	47 \times 37 \times 12.6mm(L \times W \times H)
Weight	< 30g
MTTF	Continuous > 40000H(in clean air)



Pin Order

Fig1. Pin Order

Fig2. Terminal Type (A=8x1.25)

Terminal Description: 1.25T-8P Connector, Pin Spacing 1.25mm, Pin Qty: 8

Pin Definition:

P/N	Name	Description
PIN1	VDD	DC +5V
PIN2	GND	GND
PIN3	-	NC
PIN4	RXD Serial port receive pin	TTL@3.3V
PIN5	TXD Serial send pin	TTL@3.3V
PIN6	-	Vacant
PIN7	-	NC
PIN8	PWM output	TTL@3.3V

UART settings

Baud rate	9600
Date bits	8
Stop bits	1
Parity	none

Please refer the document of ZH06 I-IV Series Communication Protocol.

Principle Description:

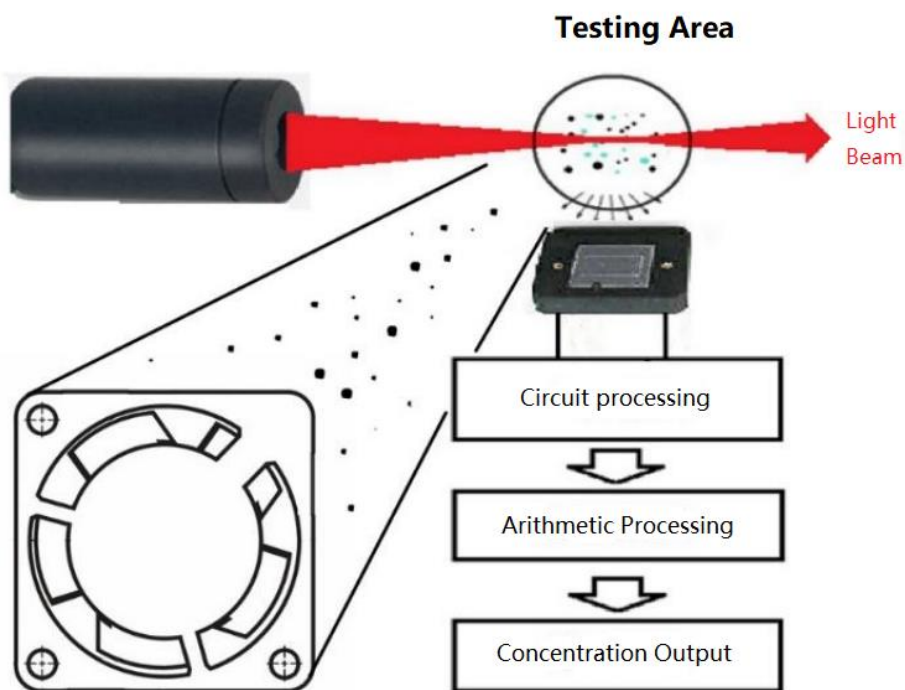


Fig3.Working principle

Sensor Construction:

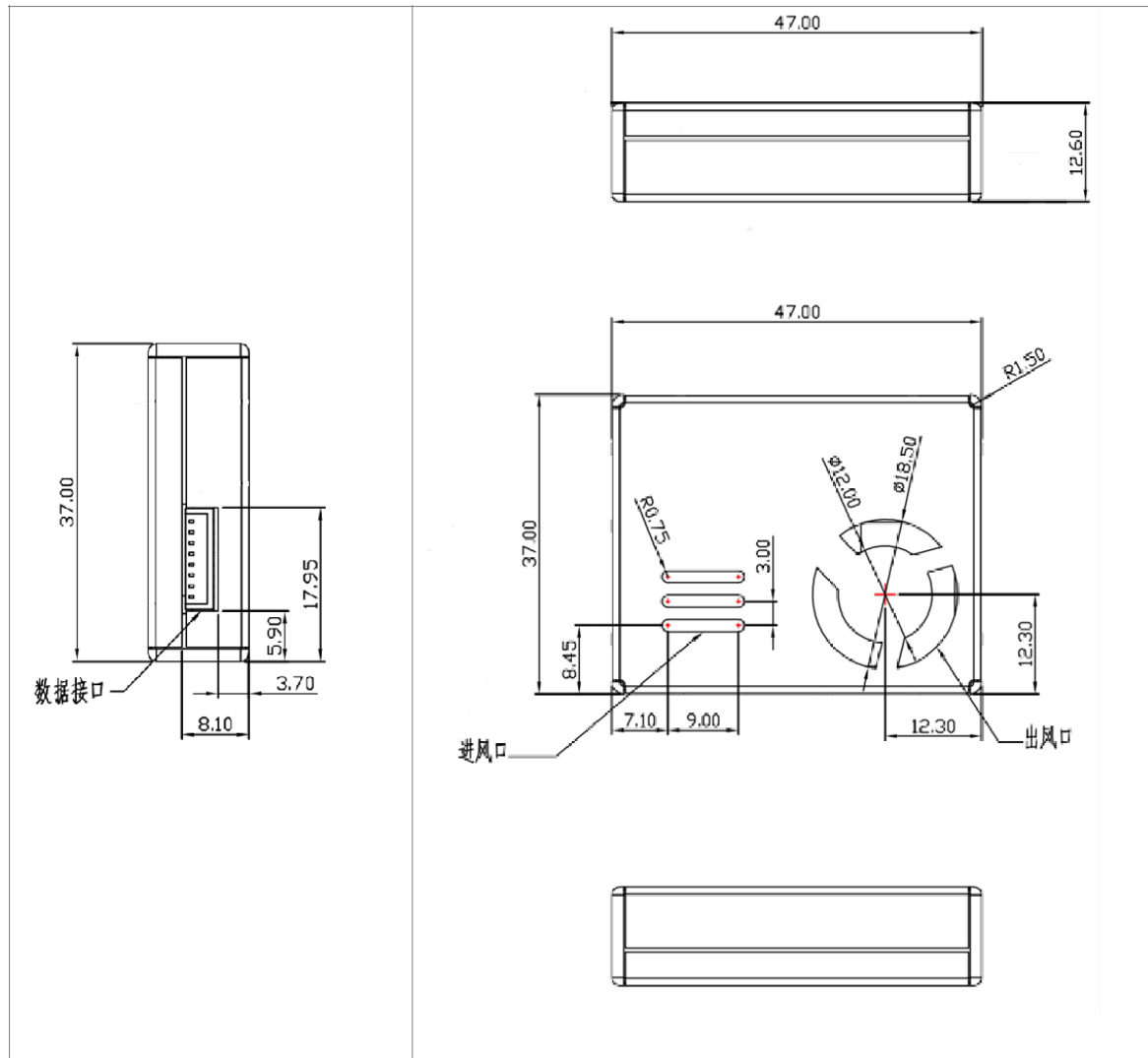
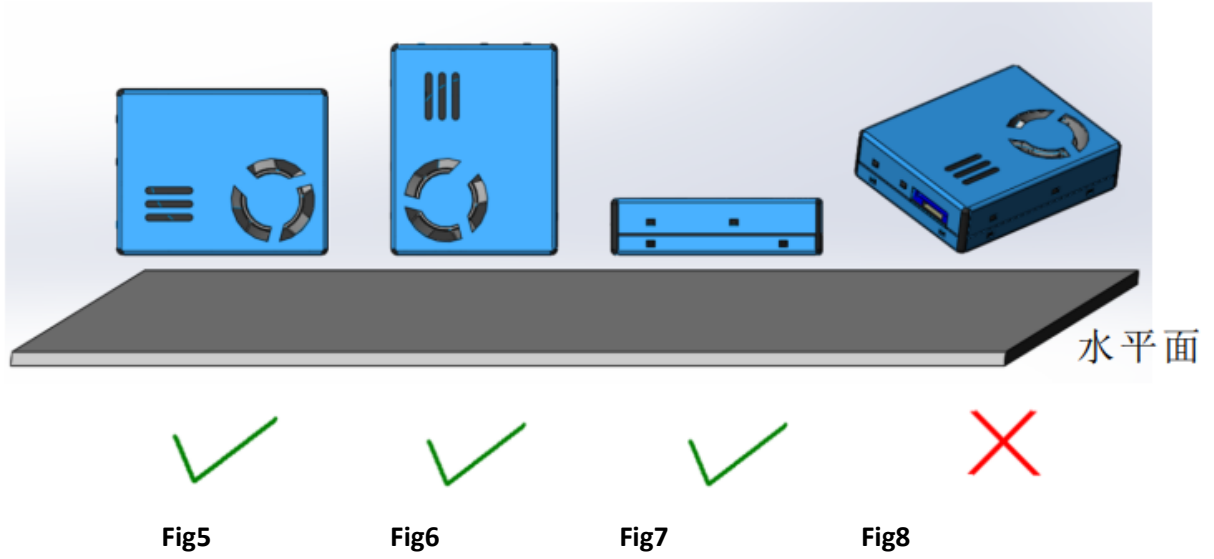


Fig4. Sizes

Installation Method:

The dust collection hole is the air inlet inside the sensor, which needs to keep good contact with the external air; the fan is installed at the air outlet inside the sensor. When the sensor is installed and working, must avoid strong airflow interference around the sensor; if it cannot be avoided, try to keep the external airflow direction perpendicular to the internal airflow direction of the sensor.

When designing the detection cavity of the whole machine, the effective area of the sampling port of the sensor should be fully considered to ensure the smoothness of the sampling gas path as much as possible. Small sampling area and large air resistance will seriously affect the accuracy of sensor data.



Arrows indicate the airflow perpendicular to the sensor surface

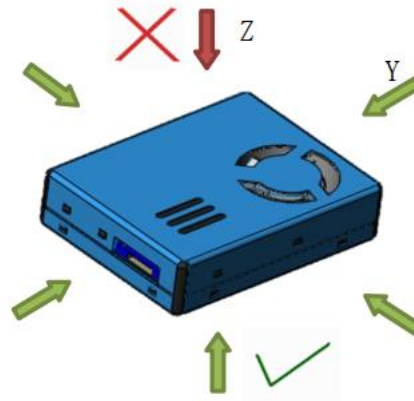


Fig9

Typical Output Characteristics:

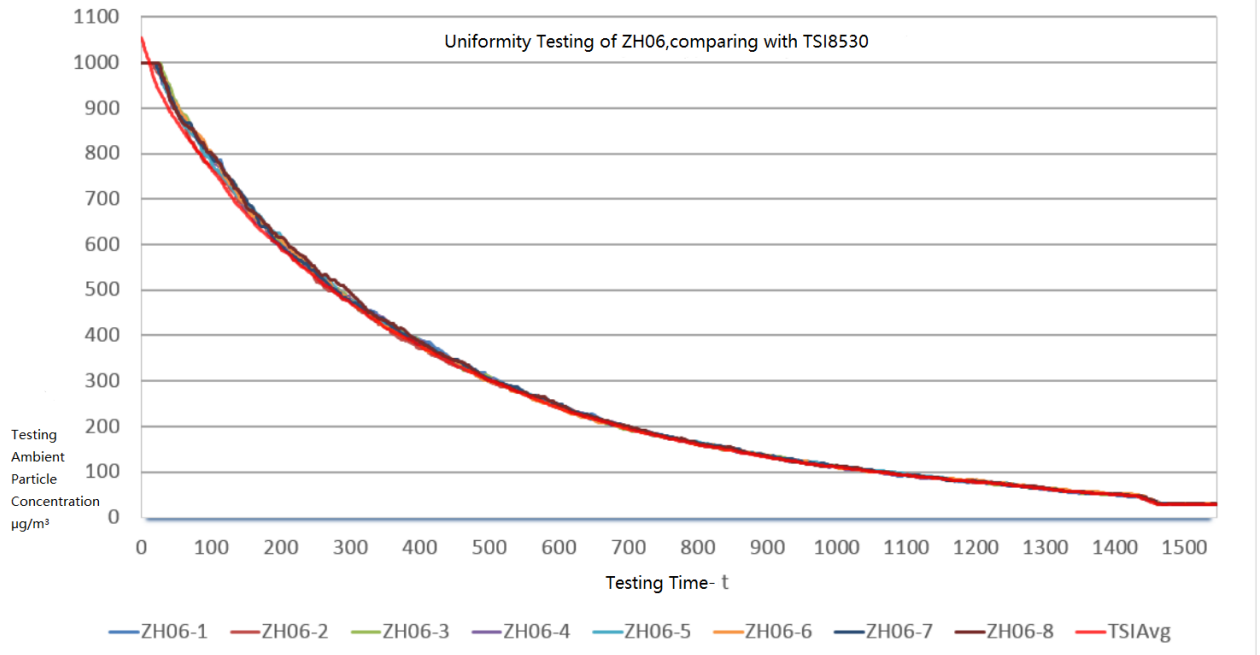


Fig10

Note:

The picture shows the data comparison between the conventional ZH06 laser particle sensor and TSI8530 in the test environment.

Abscissa : Testing time related parameters

Ordinate : The concentration of particles in the test environment (with TSI8530 data as reference, unit: $\mu\text{g}/\text{m}^3$, environmental resolution: $1\mu\text{g}/\text{m}^3$).

Attentions:

1. It is forbidden to remove the shield cover of the sensor and the internal fixing screw of the sensor, because the shield cover of the sensor is connected with the internal power supply of the sensor through the internal spring. If the shield cover of the sensor is removed, the anti-interference ability of the sensor will be poor, the output value of the sensor will change, and the performance of the sensor will be poor. In addition, and please pay attention to the metal shield of the sensor, avoid contact with other external circuits or conductive parts, so as to reduce the impact of external interference on the sensor.
2. Excessive impact or vibration will affect the accuracy and life of the sensor detection value, so the sensor should avoid falling or vibration when installing and using.
3. This sensor is suitable for the detection of dust particles in the ordinary indoor environment. The actual working environment should try to avoid oil&smoke

environment, too large dust particles, high humidity environment, such as: kitchen, bathroom, smoking room, outdoor environment, etc. If it is used in such environments, corresponding protective measures shall be added to the user's equipment to prevent viscous particles or large particles from entering the interior of the sensor and forming accumulation in the interior of the sensor which will affect the performance of the sensor. (for example, in the working environment with floccules or fibers, the corresponding coarse filter net should be added ahead the air inlet of the sensor to avoid floccules or large sundries from entering the sensor and blocking the light path of the sensor, thus affecting the detection accuracy of the sensor.)

4. The fan is the air outlet, and the dust collection hole is the air inlet. During the using of the sensor, the sensor should not be directly placed inside the air duct of the purifier. If it cannot be avoided, an independent space structure should be set up for the installation position of the sensor. The air flow direction is as shown in

‘Installation Method’ . The sensor should not be impacted by the air flow in the direction of the red arrow. There should be no obstructions within 2cm around the outlet of the fan. In this independent space, it should be avoided that the air flow from the outlet directly flows back to the inlet, which will affect the accuracy of detection.

5. Under normal working condition of normal temperature&pressure, the key component of the sensor-laser,can work continuously for more than 40000 hours, and the life of the sensor can be greatly prolonged by setting the sensor's sleep mode and interval working time. The maximum cumulative life of the sensor can be more than 5 years. Please refer to the user interface instructions for detailed operation methods, or you can contact our technical service staff by telephone or email.

6. The sensor data mentioned in this manual is about to ensure the consistency of the sensors we produced, the comparison standard will not refer to any third-party testing instruments or data . If the user wants the final detection results to be consistent with the third-party testing instrument, the user can do data fitting correction according to the actual detection results.

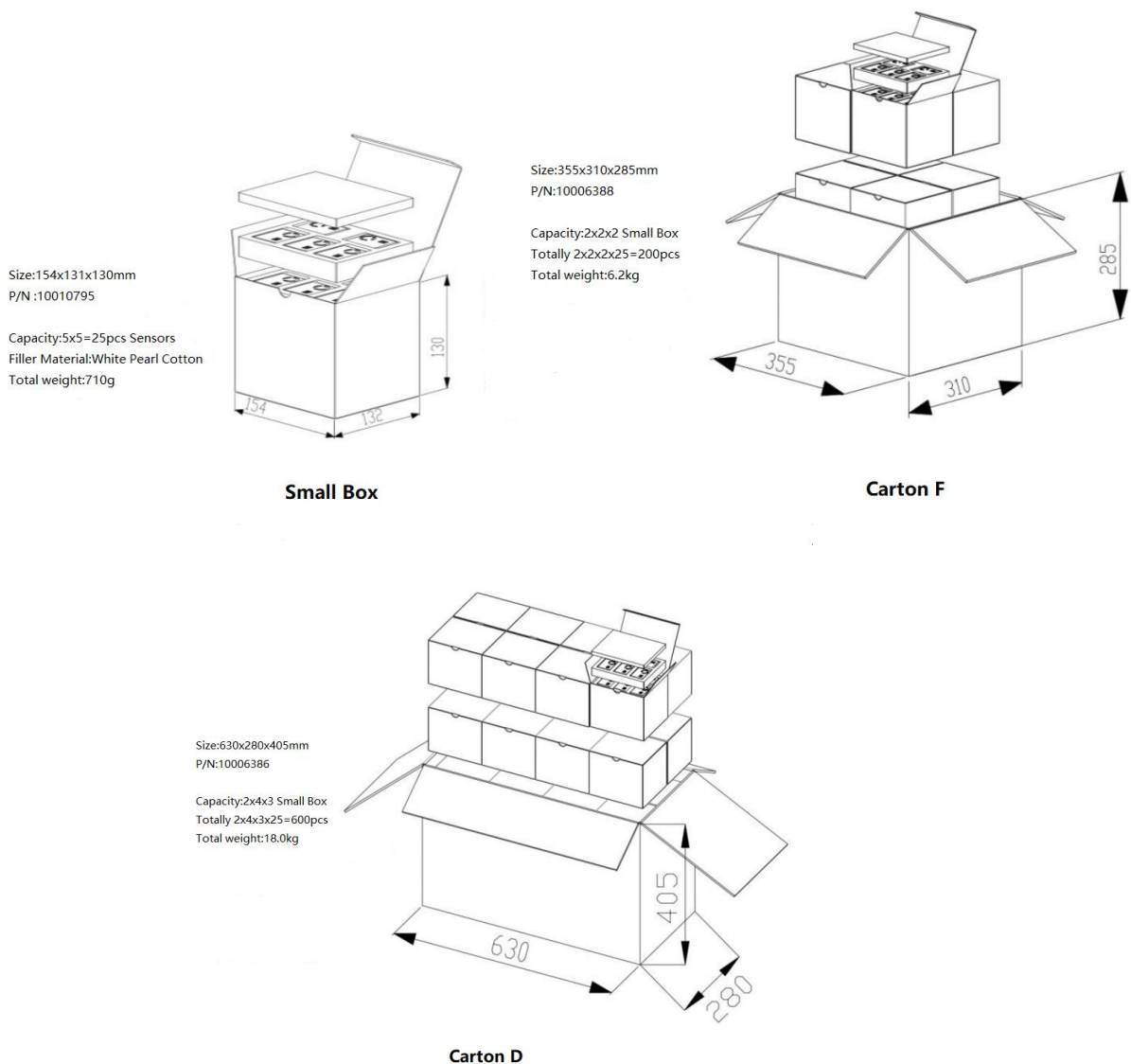
Packing:

1. Put the sensor into the Pearl Foam Tray as shown in the picture below.
2. Put the whole plate of sensors in Small Box one by one, then puts a foam plate at the top. Each Small Box can hold 25 sensors.
3. Select the appropriate carton according to the quantity of the order:

Carton F: 355 x 310 x 285mm, can hold 200 sensors, total weight around 6.2kg.

Carton D: 630 x 280 x 405mm, can hold 600 sensors, total weight around 18.0kg.

Note: Please pay attention to water proof of the carton during transportation



Reliability Testing:

	Testing Item	Testing Condition	Decision Criteria	Number of Tests - n Number of Failures - c
1	Zero output range	The test cabin meets the requirements of clean air: the mass concentration of dust is not more than $5.0 \mu\text{g} / \text{m}^3$, the sensor is powered on, and the output value is recorded six times.	Zero point output range: $< 15\mu\text{g}/\text{m}^3$	n=28 c=0
2	Uniformity	Record the output value of the sensor for 6 times at each concentration of 50, 130 and $260\mu\text{g}/\text{m}^3$, totally 18 times, take the maximum value respectively	Meet the description of "PM2.5 detection accuracy"	n=28 c=0
3	stability	The sensor is continuously powered on for 15d, Measure the output range and relative error of zero point.	Zero point output range: $< 15\mu\text{g}/\text{m}^3$ Relative error $\pm 15\%$	n=2 c=0
4	response time	When the output value of the sensor reaches $450 \mu\text{g} / \text{m}^3$ for the first time, record the time T1 at this time. Calculate the response time $T90 = t1-t0$, repeat the measurement 3 times and take the average value	response time: $T90 < 45\text{s}$	n=2 c=0

5	High Concentration Inundation	The sensor is powered on for 10min under the environment of 2000 $\mu\text{g}/\text{m}^3$. Measure the output range of zero point and relative error after completion.	Zero point output range: $< 15\mu\text{g}/\text{m}^3$ Relative error $\pm 15\%$	n=2 c=0
6	Power on/off	Keep the voltage $\text{dc}5 \pm 0.1\text{V}$ for 5min; keep the power off for 5min and circulate for 24h. Measure the output range of zero point and relative error after completion.	Zero point output range: $< 15\mu\text{g}/\text{m}^3$ Relative error $\pm 15\%$	n=2 c=0
7	Noise	The background noise is less than 30dB (a), the sensor works stably for 20min, and the sound level meter is placed on the same horizontal plane 0.8m high from the ground. The distance between the two is 1m. Each measurement is conducted three times, and the maximum value is taken	Working noise: $\leq 40\text{dB (a)}$	n=2 c=0
8	Low Temperature Storage	The sensor is not powered on, under the environment condition of $-30 \pm 2\text{ }^\circ\text{C}$, the duration is 16h, and stable at room temperature for 2h. Measure the output range of zero point and relative error after completion.	There shall be no obvious dents, scratches, cracks, deformation and other defects on the sensor surface, no bubbles, crazing and falling off on the coating and coating, no loosening and falling off on the connectors and parts, no rust and mechanical damage	n=2 c=0
9	High Temperature Storage	The sensor is not powered on, under the environment of $70 \pm 2\text{ }^\circ\text{C}$, the duration is 16h, and stable at room temperature for 2h. Measure the zero point		n=2 c=0

Leading gas sensing solutions supplier in China!

		output range and relative error after completion	on the metal components. Zero point output range: < 15µg/m³ Relative error: ± 15%	
10	High Temperature Work	The sensor is powered on and operated under 50 ± 2 °C environmental conditions for 2h, Measure the zero output range after completion.	There shall be no obvious dents, scratches, cracks, deformation and other defects on the sensor surface, no bubbles, crazing and falling off on the coating and coating, no loosening and falling off on the connectors and parts, no rust and mechanical damage on the metal components. Zero point output range: < 15µg/m³	n=2 c=0
11	Low Temperature Work	The sensor is powered on and operated under the ambient condition of - 10 ± 2 °C, lasting for 2h, Measure zero point output range after completion	There shall be no obvious dents, scratches, cracks, deformation and other defects on the sensor surface, no bubbles, crazing and falling off on the coating and coating, no loosening and falling off on the connectors and parts, no rust and mechanical damage on the metal components. Zero point output range: < 15µg/m³	n=2 c=0
12	Vibration Test	The sensor is not packed and powered off. Frequency range: (10-150) Hz; Sine amplitude: 1.5mm; Frequency range: 1oct; X, y, Z three axes, each sweeping 15 times. Measure the output range of zero point and relative error after completion.	There shall be no obvious dents, scratches, cracks, deformation and other defects on the sensor surface, no bubbles, crazing and falling off on the coating and coating, no loosening and falling off on the connectors and parts,	n=2 c=0
13	Drop Test	The packaged sensor, with a height of 1m, falls on a surface of concrete or a smooth and hard rigid	no rust and mechanical damage on the metal components.	n=2 c=0

Leading gas sensing solutions supplier in China!

		surface. Each of the six different faces falls freely once. Measure the output range of zero point and relative error after completion.	Zero point output range: < 15µg/m³	
14	Electrostatic Interference	When the sensor is electrified, the surface of 2000V metal shell is discharged 8 times, and the ground plate is discharged 2 times at 10cm around the sample. The time interval of each discharge is at least 1s. Measure the output range of zero point and relative error after completion.	Zero point output range: < 15µg/m³ Relative error: ± 15%	n=2 c=0